

Lily H. Baker  
Chairman

Verdell D. Jones  
Vice Chairman

Judy B. Scherer  
Superintendent



Marcia Anderson  
Becky C. Carter  
Charlie J. Frasier  
Carol Guyett  
Harold Woods

**BID INVITATION**  
**Advertising for Bids**  
**To Provide Furnishings**  
**For Liberty College & Career Academy**  
**Hinesville, GA 31313**  
**February 2012**

Sealed bids will be received by the Liberty County Board of Education at its office located at 200 Bradwell Street, I Hinesville, GA 31313 for the supply and installation of furnishings for Liberty College & Career Academy, Hinesville, Georgia.

Beginning on January 30, 2012, the specifications and contract documents will be available for review at, or distribution from, the Liberty County Board of Education. One set of contract documents may be secured by vendors. Questions concerning this bid should be directed to Torn Alexander at telephone number (912) 876-4904.

Bids may be withdrawn any time prior to Friday, March 2, 2012, at 10:00 A.M. Bids will be opened at Liberty County Board of Education on Friday, March 2, 2012, at 10:00 A.M. Bids received after this time will be returned unopened.

The Liberty County Board of Education reserves the right to accept or reject any or all bids and to waive formalities.

Bid Bond only (no certified checks or other instruments will be acceptable) in the amount of five per cent (5%) of the bid proposal shall be required. A one hundred percent (100%) Performance Bond upon award shall be required of the successful bidder.

Envelopes containing the bid form shall be sealed and marked as follows:

**Furnishings for Liberty College & Career Academy**  
**Sealed Bid**

**Bid Deadline: Friday, March 2, 2012; 10:00 A.M.**

**Vision:** All students will receive a high quality education providing them the knowledge and skills to be successful, contributing members of a global society.

**Mission:** *The mission of the Liberty County School System is to provide all students an education which promotes excellence, good citizenship, and a love of learning.*

## INSTRUCTIONS TO BIDDERS

Bidders will prepare bids on the Bid Form provided in this specification. Bidders may bid on any and all parts; however, in order to receive consideration, bidders must bid on the bid form provided, and any bidder response sheets must be returned with all information provided in the appropriate spaces to be considered for award.

Awards will be based upon the lowest and best bid in the sole discretion of the Liberty County Board of Education, meeting specifications for each group or as a total.

All bids and contracts shall include cost of manufacturing, packing, delivering, unloading, and storing within the building, and, where directed by the owner, uncrating, assembling, final placement, and removal of all debris from the premises and whatever other specific services are required to make ready for the owner's use.

Each proposal must be submitted on the designated enclosed bid forms with all pages of the bid forms returned, plus such additional sheets and papers as are necessary to satisfy the requirements of this specification.

The purpose of these specifications is to establish minimum requirements for school furnishings and to provide the purchaser with quality, durable, and functional furniture and equipment. Items of manufacturers' equal or comparable specifications will be considered. However, any deviation from the item specified must be clearly identified in writing. Product catalogs and model numbers will not satisfy this requirement; rather, all bidders must list all deviations for an item to be considered.

When written deviations from the specifications are received, Liberty County Board of Education reserves the right to require samples of the product(s) in question within ten (10) days of request at no additional cost. Samples provided by the successful bidder will be held by Liberty County Board of Education until all items have been received. The sample will be used to insure that items received are of the same quality specified.

Notwithstanding the above, any substitution of the specified item(s) in the specifications must be clearly identified, stating the substitute product, manufacturer or trade name, including model or catalog numbers, as well as a completed deviation sheet.

Each bidder, before submitting proposals, shall become fully informed as to the intent and character of the work required and its relation to other work in the building.

All products shall be guaranteed for a minimum period of one (1) year against defects in material and workmanship. Items having extended warranties shall be noted on Bid Form. Unless otherwise specified color selections are to be made from manufacturers' standard color charts and fabric samples.

Damage to the building or equipment caused by work under this contract shall be repaired or replaced by new materials to original conditions as approved by owner/purchaser.

Bidders must indicate on the Bid Form whether or not this bid is in complete compliance with the specifications. If there are any deviations from the specifications, the bidder must indicate in writing on the Deviation/Bidder Response Sheet provided what the deviations are, using additional sheets, if necessary.

Payment will be made within thirty (30) days of receipt of materials. Owner will pay 90% of  
Payment will be made within thirty (30) days of receipt of materials. Owner will pay 90% of materials.  
Balance will be paid after all installation is complete and after vendor presents an affidavit certifying that  
he/she has paid all subcontractors he/she employed in the manufacture, supply, or installation of  
products(s).

Delivery and installation of equipment where required is to begin no earlier than July 15, 2012, nor  
later than July 27, 2012, and must be completed by July 27, 2012.

All equipment is to be delivered and installed for the facility opening in August, 2012. It is the  
responsibility of successful bidders to keep in touch with the progress of delivery and installation.

In the event goods or services furnished by the bidder under a contract or purchase order should, for any  
reason, not conform to the specifications or the sample submitted by the bidder with his/her bid, the  
Liberty County Board of Education may reject the goods or services. Following specific instructions by  
the Liberty County Board of Education, the bidder shall immediately remove the goods without expense  
to the Liberty County Board of Education and shall replace all rejected goods and services with goods or  
services conforming to the specifications or samples.

Should the bidder default in performance described in the foregoing paragraph, the Liberty County  
Board of Education may procure such goods or services from other sources and shall have the absolute  
right to deduct from any moneys due the bidder, or that may hereafter become due to the bidder, the  
difference between the contract price and the actual cost of the goods or services to be replaced or  
substituted. The price paid by the Liberty County Board of Education in this event shall be the prevailing  
market price at the time the substitute purchase is made.

It is expressly understood that the Liberty County Board of Education shall not be liable to any vendor  
and that said vendor will hold harmless the Liberty County Board of Education, its officers, employees,  
and agents from any loss, damage, expense, or liability by reason of property damage, excluding loss of  
use thereof, or personal injury of whatsoever kind, including death, arising out of or in connection with  
the performance or construction and installation work pursuant to this bid or any special contract  
resulting from this bid by vendor occasioned by the negligent acts or omissions of employees, officers, or  
agents of vendor.

END OF BID INVITATION

**BID FORM –A**  
**Information and Signature Form**

Date: \_\_\_\_\_

TO: Liberty County Board of Education  
Attn: Tom Alexander  
200 Bradwell Street  
Hinesville, GA 31313

RE: Proposal for furnishing Liberty College & Career Academy for the Liberty County Board of Education in Hinesville, Georgia.

Submitted By:

Company Name: \_\_\_\_\_

Address: \_\_\_\_\_

\_\_\_\_\_

Telephone: \_\_\_\_\_ Fax: \_\_\_\_\_

Email Address (Primary Contact): \_\_\_\_\_

I have received and reviewed BID DOCUMENTS provided for the above revered project.

- This bid is in complete compliance with the specifications.**
- This bid deviates from the specifications, and the deviations are listed on the Deviation/Bidder Response Sheet(s) attached to this bid form.

In submitting this bid, I agree

1. To hold my bid open for thirty (30) calendar days after bid date.
2. To accept all provisions of Instructions to Bidders.
3. To execute a contract, if awarded, on the basis of this bid.
4. To accomplish the work in accordance with contract documents.
- 5a. To furnish and install the **I Administration Category** per specifications and equipment schedule for the lump sum of

\_\_\_\_\_

(\$ \_\_\_\_\_).

5b. To furnish and install the **II Classroom Category** per specifications and equipment schedule for the lump sum of

\_\_\_\_\_

(\$ \_\_\_\_\_).

5c. To furnish and install the **III Computer Storage & Furnishings Category** per specifications and equipment schedule for the lump sum of

\_\_\_\_\_

(\$ \_\_\_\_\_).

\*I understand that the Liberty College and Career Academy building is currently under construction, and that I am responsible for ascertaining the readiness of the site prior to the delivery and/or installation of furnishings/equipment.

I have attached the required bid security to this application.

Date: \_\_\_\_\_

Company: \_\_\_\_\_

Signature: \_\_\_\_\_  
(Seal, If Bidder is Corporation)

Printed Name: \_\_\_\_\_

Title: \_\_\_\_\_

Address: \_\_\_\_\_

Telephone: \_\_\_\_\_

Important-Please include EACH of the following in your submittal:

- Bid Form A-Information and Signature Form
- Bid Form B-For Each Aforementioned Categories I-III
- Bid Form C-Deviation/Bidder Response Sheet for each item for which there is a deviation from the specifications.
- Bid Bond
- Bid Form D-Contractors Affidavit and Agreement

**BID FORM—B**  
**I—Administration Category**

*BIDDER RESPONSE  
COLUMN  
(CHECK ONE)*

ITEM	QTY	DESCRIPTION	UNIT PRICE	TOTAL	BID AS IS SPECIFIED	BID WITH DEVIATION
1	20	Guest Chairs without casters, Specification 1				
2	16	Conference Chairs with casters, Specification 2				
3	6	Bookcases, 48" H, Specification 3				
4	1	Conference Table, 16', Specification 4				
5	6	Executive Desk, 66 x 30 x 30, Specification 5				
6	4	Kneespace Credenza, 66 x 24 x 30, Specification 6				
7	4	Storage Hutch, 66 x 16 x 39, Specification 7				
8	6	Two Drawer Lateral File, 33 x 24 x 30, Specification 8				
9	6	Executive Chair, Specification 9				
10	1	Secretarial Chair, Specification 10				

TOTAL ADMINISTRATIVE GROUP BID\$ \_\_\_\_\_

**BID FORM—B**  
**II—Classroom Category**

*BIDDER RESPONSE  
COLUMN  
(CHECK ONE)*

ITEM	QTY	DESCRIPTION	UNIT PRICE	TOTAL	BID AS IS SPECIFIED	BID WITH DEVIATION
11	14	DBL Pedestal Teacher Desk, Specification 11				
12	510	Student Chair, Specification 12				
13	14	Teacher Chair, Caster Base, Specification 13				
14	14	Book Truck, Specification 14				
15	200	Student Desk, Specification 15				
16	4	Storage Cabinet, Specification 16				
17	15	Presentation Stand, Specification 17				
18	10	File Cabinet, Vertical 4-Dwr, Specification 18				
19	1	File Cabinet, Fire Resistant, Specification 19				
20	12	Production Bench, Specification 20				
21	26	Drafting Table, Specification 21				
22	10	Drawing Cabinet, Specification 22				
23	12	Round Student Tables, Specification 23				
24	39	Drafting Stools, Specification 24				
25	2	Flat File Storage Cabinet, Specification 25				

TOTAL CLASSROOM GROUP BID\$ \_\_\_\_\_

**BID FORM—B**  
**III-Computer Storage & Furnishings Category**

*BIDDER RESPONSE  
 COLUMN  
 (CHECK ONE)*

ITEM	QTY	DESCRIPTION	UNIT PRICE	TOTAL	BID AS IS SPECIFIED	BID WITH DEVIATION
26	70	Computer Table, Specification 26				
27	10	iPad Power & Sync Cart, Specification 27				

TOTAL COMP STORAGE & FURNISHINGS GROUP BID\$ \_\_\_\_\_



**BID FORM--D**

**CONTRACTORS AFFIDAVIT AND AGREEMENT**

By executing this affidavit, the undersigned contractor verifies its compliance with O.C.G.A. §13-10-91, stating affirmatively that the individual, firm, or corporation which is contracting with Liberty County School System, a political subdivision of the State of Georgia, has registered with and is participating in a federal work authorization program\* [any of the electronic verification of work authorization programs operated by the United States Department of Homeland Security or any equivalent federal work authorization program operated by the United States Department of Homeland Security to verify information of newly hired employees, pursuant to the Immigration Reform and Control Act of 1986 (IRCA), P.L. 99-603, in accordance with the applicability provisions and deadline established in O.C.G.A. § 13-10-91.]

*See Employment Eligibility Verification (EEV) at <https://www.visdhs.com/EmployerRegistration>*

The undersigned further agrees that, should it employ or contract with any subcontractor(s) in connection with the physical performance of services pursuant to this contract with Liberty County School System, contractor will secure from such subcontractor(s) similar verification of compliance with O.C.G.A. §13-10-91 on the Subcontractor Affidavit provided in Rule 300-10-01-.08 or a substantially similar form. (See Form 'C') Contractor further agrees to maintain records of such compliance and provide a copy of each such verification to the Liberty County School System at the time the subcontractor(s) is retained to perform such service.

\_\_\_\_\_  
Employment Eligibility Verification Program  
(EEV)Basic Pilot Program\* User Identification Number

\_\_\_\_\_  
BY: Authorized Officer or Agent  
(Contractor Name)

\_\_\_\_\_  
Title of Authorized Officer or Agent of Contractor

\_\_\_\_\_  
Printed Name of Authorized Officer or Agent

SUBSCRIBED AND SWORN  
BEFORE ME ON THIS THE  
\_\_\_\_ DAY OF \_\_\_\_\_, 20\_\_\_\_

\_\_\_\_\_  
Notary Public

My Commission Expires: \_\_\_\_\_

\*As of the effective date of O.C.G.A. 13-10-91, the applicable federal work authorization program is the "EEV / Basic Pilot Program" operated by the U.S. Citizenship and Immigration Services Bureau of the U.S. Department of Homeland Security, in conjunction with the Social Security Administration (SSA).

Specification #1

Indiana Furniture "Karlán" Guest Task Chair w/o Casters, Model #606

Chair will measure 23" wide x 23" deep x 32" high.

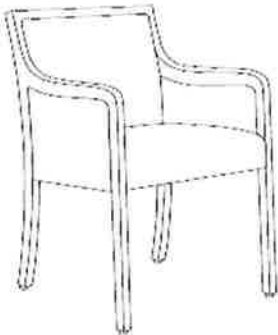
Upholstery type should be Grade 5 or comparable. Exposed wood should be "light maple" finish.

GUEST CHAIR

606

- Upholstered Arm Insert Panels
- High Grade Polyurethane Foam

Chair Width	23
Chair Depth	23
Chair Height	32
Seat Width	20
Seat Depth	18.5
Seat Height	18
Arm Height	26.5
COM Ydg.	2.5
Ship Wt.	30
Cubic Ft.	16.61



\_\_\_ Bid as specified.

\_\_\_ Bid with deviations (see attached Bidder Response Sheet).

Specification #2

Specification #2

Indiana Furniture "Avia" Executive Task Chair w Casters, Model #754

Chair will measure 19" wide x 23" deep x 38.5-44" high.

Chair will be armless; have pneumatic gas lift, molded plastic or upholstered extreme back and 5-star black nylon base with black hooded dual wheel casters.

Upholstery type should be Indiana Furniture Grade 5 or comparable.

EXECUTIVE TASK CHAIR

754

- Armless
- Pneumatic Gas Lift
- Synchronous Control
- Independent Back Adjustment
- Back Height Adjustment
- Molded Plastic Extreme Back
- 5-Star Black Nylon Base
- Black Hooded Dual Wheel Casters

Chair Width	19
Chair Depth	23
Chair Height	38.5-44
Seat Width	18
Seat Depth	18.5
Seat Height	15-20
COM Ydg.	1.25
Ship Wt.	48
Cubic Ft.	16.42



\_\_\_ Bid as specified.

\_\_\_ Bid with deviations (see attached Bidder Response Sheet).

Specification #3

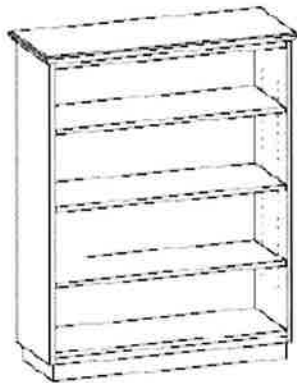
Jasper Desk "Metallix" Bookcase, Model 45\_0BC48

Metallix bookcase will measure 32" wide x 13" deep x 48" high. Bookcase will have three adjustable shelves. Bookcase finish will be natural cherry.

Bookcase

**45\_0BC48**  
135 lbs.

48" Bookcase  
32"W x 13"D x 48"H  
Three adjustable shelves



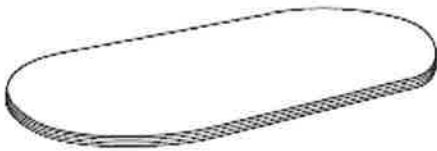
Bid as specified.

Bid with deviations (see attached Bidder Response Sheet).

Specification #4

Indiana Furniture “Contemporary” Conference Table w Aluminum Metal Legs, Model 92-48168AT and (6 @) Model 92-0004LG

“Racetrack” tabletop will measure 168” wide x 48” deep x 1 3/16 thick and have a “light maple” high-pressure laminate top finish with a “square” edge. Tabletop will be supported by 6 four-inch round metal black posts.



<b>92-48168AT</b>	• 14 ft Conference Top	Width	168
	• Two Piece Top	Depth	48
	• Accomodates Fourteen Chairs	Height	19 <sup>1/8</sup>
		Ship Wt.	300
		Cubic Ft.	13.58
	<b>Bases</b>	<b>Qty</b>	<b>Stretchers</b>
	92-0004LG	6	n/a

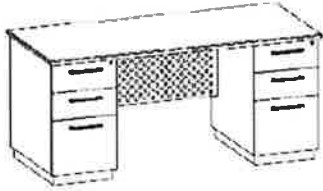
\_\_\_ Bid as specified.

\_\_\_ Bid with deviations (see attached Bidder Response Sheet).

Specification #5

Jasper Desk "Metallix" Executive Desk, Model 45\_0FR66

Metallix desk will measure 66 wide x 30 deep x 30 high and will have a 32" knee space with locking pedestals on each side. Desk will contain center pullout lap drawer. Desk top will be high pressure laminate. Desk finish will be natural cherry.



Executive Desk  
66"W x 30"D x 30"H  
32" kneespace - pedestal locking  
6" center overhang on approach side  
Box/Box/File drawer on each side

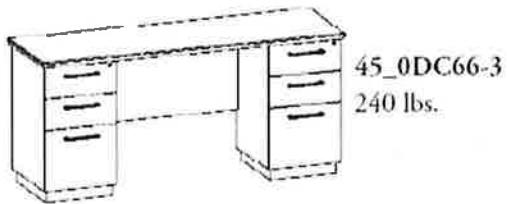
Bid as specified.

Bid with deviations (see attached Bidder Response Sheet).

Specification #6

Jasper Desk "Metallix" Kneespace Credenza, Model 45\_0DC66-3

Metallix credenza will measure 66 wide x 24 deep x 30 high. Top will be high pressure laminate. Credenza finish will be natural cherry.



Kneespace Credenza  
66"W x 24"D x 30"H

Box/Box/File drawer on each side

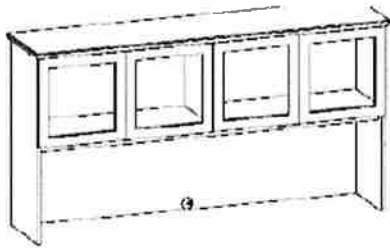
\_\_\_ Bid as specified.

\_\_\_ Bid with deviations (see attached Bidder Response Sheet).

Specification #7

Jasper Desk "Metallix" Storage Hutch, Model 45\_0HO66

Metallix hutch will measure 66" wide x 16" deep x 39" high. Hutch finish will be natural cherry and will contain four aluminum framed glass doors.



45\_0HO66  
230 lbs.

Storage Hutch  
66"W x 16"D x 39"H  
Four aluminum framed glass doors  
Wire access grommets in open compartment  
- centered top and bottom

\_\_\_ Bid as specified.

\_\_\_ Bid with deviations (see attached Bidder Response Sheet).

Specification #8

Jasper Desk "Metallix" 2-Drawer Lateral File, Model 45\_0LF2

Lateral file will measure 33" wide x 24" deep x 30" high. Top will be high pressure laminate. Finish will be natural cherry.



45\_0LF2  
160 lbs

Two Drawer Lateral File  
33"W x 24"D x 30"H  
Legal and Letter Cross-filing  
Special locking mechanism allows only  
one drawer to open at a time

\_\_\_ Bid as specified.

\_\_\_ Bid with deviations (see attached Bidder Response Sheet).

Specification #9

Indiana Furniture "Elation" High Back Executive Chair w/Casters, Model 814

Chair will measure 26.5" wide x 25.5" deep x 41-48" high.

Chair will have "natural walnut" wood armrests, "synchro knee tilt control," and black nylon 5-star base, pneumatic gas lift, back height adjustment and black hooded dual wheel casters.

Upholstery type will be grade 5.

HIGH BACK EXECUTIVE:

814

- Wood Arm Rests
- Synchro Knee Tilt Control and Black Nylon 5-Star Base are Standard
- Pneumatic Gas Lift
- Back Height Adjustment
- Black Hooded Dual Wheel Casters

Chair Width	26.5
Chair Depth	25.5
Chair Height	41-48
Seat Width	20
Seat Depth	19
Seat Height	17-22
Arm Height	22-29
COM Ydg.	2.00
Ship Wt.	50
Cubic Ft.	25.84



\_\_\_ Bid as specified.

\_\_\_ Bid with deviations (see attached Bidder Response Sheet).

Specification #10

Indiana Furniture "Avia" Executive Task Chair w/ Casters, Model #764

Chair will measure 19" wide x 23" deep x 38.5-44" high.

Chair will have adjustable arms; have pneumatic gas lift, molded plastic or upholstered extreme back and 5-star black nylon base with black hooded dual wheel casters.

Upholstery type should be Indiana Furniture Grade 5 or comparable.

EXECUTIVE TASK CHAIR

764

- Adjustable T Arm
- Pneumatic Gas Lift
- Synchronous Control
- Independent Back Adjustment
- Back Height Adjustment
- Arms Adjust in Width & Height
- Molded Plastic Extreme Back
- 5-Star Black Nylon Base
- Black Hooded Dual Wheel Casters

Chair Width	22.5-25.25
Chair Depth	23
Chair Height	38.5-44
Seat Width	16.5-19.5
Seat Depth	18.5
Seat Height	15-20
Arm Height	25.5-33
COM Ydg.	1.25
Ship Wt.	50
Cubic Ft.	16.42



\_\_\_ Bid as specified.

\_\_\_ Bid with deviations (see attached Bidder Response Sheet).

Specification #11

Smith System “Planner” Teacher Double Pedestal Desk

Desk will measure 60” wide x 30” deep x 29” high.

Desk will have locking drawers and will have pressure laminate top. Top will be “golden oak” color. Metal desk surfaces will be “champagne” color. Desk will have center drawer.



**PLANNER TEACHER  
DESK (DOUBLE PED)**

**Model# 24010**

The Double Ped Planner Teacher desk is our most robust and durable product yet. It's compact packaging, painless assembly, and durability and integrity are ideal features of a teacher suite product.

**Material**

**Drawer Pedestals:** The Planner Teacher Desk has suspended file drawer pedestal with all welded steel construction. Box and file have full extension steel ball bearing slides for complete access and quiet operation. Pedestal has simple lock and full width push pulls for easy use. File drawers have full height sides for hanging files.

**Tabletop:** Tabletop measures 30" x 60", 1-1/4" thick with high-pressure laminate surface and radius corners. 45-lb high density particle board core with backer sheet. Tough 3/8"-thick bumper edge molding with horizontal radius for comfort is stapled in place every 8".

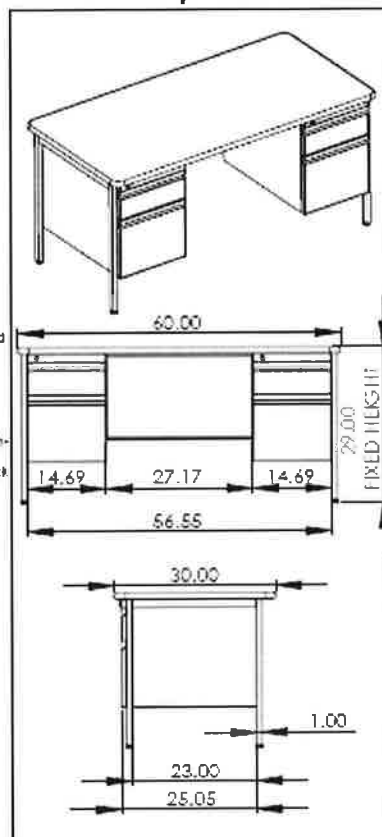
**Legs:** Post Leg end pairs are fully welded. Each pair is constructed of 1" x 2" 14-gauge cross support tube welded to 1"-square 14-gauge corner legs. Leg ends attach to drawer pedestal housings for rigidity. 1" adjustable leveling glides provide stability on uneven floors. Steel components have tough powder coat finish.

**Optional Accessories**

PART #	DESCRIPTION
17353	FLAT PANEL MOUNT W/ SWIVEL ARM, CLAMP
17420	KEYBOARD TRAY
17342	CENTER DRAWER

**Dimensions**

**Product Specifications**



\_\_\_ Bid as specified.

\_\_\_ Bid with deviations (see attached Bidder Response Sheet).

Specification #12

Smith System "Intuit" Student Stackable Chair

Chair will measure as specified in the diagram below. Chair shell will be "apple" in color. Chair frame will be "champagne" in color. Chair will have nylon glides for use on hard-surface flooring.



 **SMITHSYSTEM**  
**INTUIT STACK CHAIR**  
**A SHELL, 18" H**  
**Model# 00510**

The Intuit is our most ergonomic option with unmatched comfort and style. The shell is contoured for comfort in the seat and the back. The first cooperative learning chair. Its shape was derived purely as an invitation to come, sit and learn. Meanwhile, its ample dimensions make students of all sizes comfortable throughout the day. The Intuit Chair is the latest expression of furniture that contributes to a healthy, effective learning environment.

**Material**

The shell is made from virgin polypropylene with color throughout and a distinct texture to prevent slipping. The free flowing design of the Intuit comes from the innovative use of Gas Injection Technology. The integrated handle eases classroom positioning. The frame is constructed from 16 gage 1-1/8" dia steel tube, protected by a durable powder coat finish, and is MIG-welded for maximum strength. The tubular frame supports the perimeter of the shell and incorporates a reinforcing crossbar for added strength. The shell is anchored securely to the frame through six 11-gauge die formed brackets, no rivets.

\_\_\_ Bid as specified.

\_\_\_ Bid with deviations (see attached Bidder Response Sheet).

## Specification #13

### Smith System “UXL” Adjustable (Teacher) Chair, Model 81474

Chair will measure as specified in the diagram below. Chair shell will be “apple” in color. Chair seat will be “apple” in color. Chair will have a caster base.



#### Smith System 81474 The Uxl Adjustable Chair With Fabric Seat

The UXL Adjustable Chair accommodates both young adults and adults and adjusts pneumatically to heights of 15 to 21 inches. The backrest is made of high impact polypropylene and is supported by a metal bar insert for additional strength. Optional casters are made from durable nylon and are 50mm in diameter. These UXL adjustable height chairs are available in an array of colors.

- High Impact strength polypropylene for durability
- Backrest with metal bar insert provides strong support
- Swivel/Vertical pneumatic height adjustable from 15" to 21" (no tilting)
- Choose from either stationary glides or casters for mobility
- Arms optional
- Fabric seat not available in white

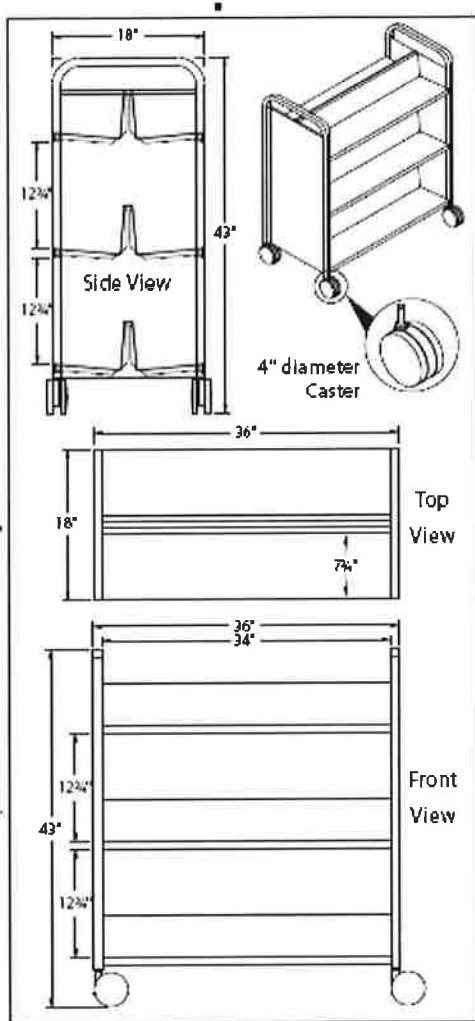
\_\_\_ Bid as specified.

\_\_\_ Bid with deviations (see attached Bidder Response Sheet).

Specification #14

Smith System "Sloping Shelf" Book Truck

Truck will measure 18" deep x 36" wide x 43" high and be made of 18 gauge welded steel. Truck will have a powder coat finish in "apple" or "champagne" color and will include wheels or casters.



\_\_\_ Bid as specified.

\_\_\_ Bid with deviations (see attached Bidder Response Sheet).

Specification #15

Smith System "Huddle" Student Desk

Desk will measure as specified in the diagram below. Desk top will be high pressure laminate, "golden oak" in color with an "apple" colored edge. Desk frame will be "champagne" in color. Desk legs will be adjustable.



**Huddle-6 Model# 01265**

The Huddle-6 unique trapezoid shape lends flexibility to instructors to create and rearrange classroom layouts throughout the day. Place desks back to back for testing arrangements, or group multiple desks together in a circle.

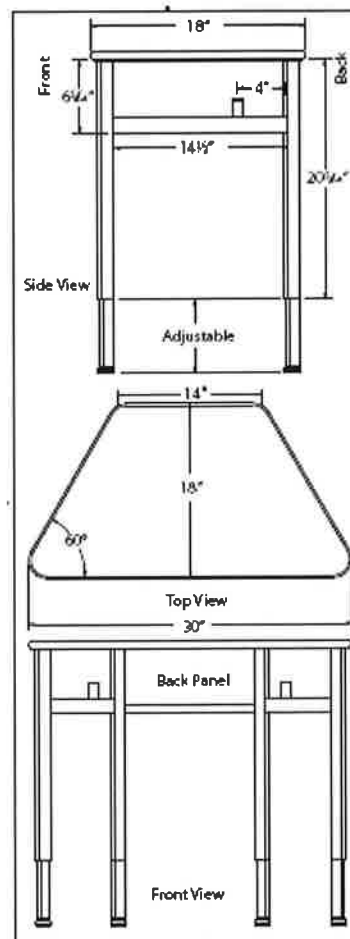


**Material**

The 1-1/4" thick *work surface* consists of a 45 lb. density particle board core with a .030" high-pressure laminated surface and a .020" melamine backer sheet. The edge of the work surface features a 3/8" thick T-mold that is stapled to the underside of the work surface every 10" and at corners. The *frame* consists of 2 corner post leg sets, each leg set consisting of (2) 1 1/4" square 14-gauge tube legs, (2) 1" square 14-gauge steel tube chrome inserts, (1) 1" square 14-gauge steel cross-bar with (1) 7/8" diameter 1 1/2" back pack peg, and a 14-gauge steel plate. Legs adjust on 1" intervals from 22" to 32" high. Leg sets are attached together at the rear with a 6" high 18-gauge steel panel. Legs have 1" adjusting leveling glides.

**Dimensions**

Product dimensions: 18" d x 30" w x 22-32" h  
Box dimensions: 38" d x 26" w x 6" h



\_\_\_ Bid as specified.

\_\_\_ Bid with deviations (see attached Bidder Response Sheet).

Specification #16

Smith System "Cascade" Mid-Tower Storage Cabinet, Model 30730

Cabinet will be 28 5/8" wide x 19" deep x 60" high. Cabinet will be on wheels or casters.

Cabinet will be open as in the example below and will contain 24 removable bins for storage. Cabinet will be made of 18-gauge steel construction and have "apple" colored end panels.



Bid as specified.

Bid with deviations (see attached Bidder Response Sheet).

## Specification #17

### Teacher Presentation Stand

Presentation will meet specifications as described below. Stand will be grey or black in color. Stand will be adjustable and have a laminate top.



- Grey laminate top that is stain and scratch resistant
- Grey support pole that matches the laminate top well
- Easily adjusts from 30"- 44" high to accommodate a wide range of presenters

This presentation stand has a laminated grey desktop. These adjustable height stands, a lightweight presentation stand is practical and convenient. This office furniture, mobile presentation stand has an application at every venue. A presentation stand, such as floor lectern or office furniture can adjust from 30"-44" high to suit many presenters. This presentation stand, a office furniture podium or floor lectern has a generous paper book stop for your reading material.

The grey adjustable height stands also feature a grey support post and base that matches the reading surface very well. The paint on the base and pole is a 3 mil powdercoat finish on a 1"x2" 16 guage steel that will not flake off like a paint finish would. The edge of this lectern is finished off with a 5/8" PVC T-molding to protect the walls and podium while moving it around.

**Dimensions:**

**Overall:** 20" W x 16" D x 30 1/2" H to 44" H

**Desktop:** 20" W x 16" D

**Weight:** 19 lbs.

\_\_\_ Bid as specified.

\_\_\_ Bid with deviations (see attached Bidder Response Sheet).

Specification #18

Hon 4-Drawer Vertical File Cabinet

Presentation will met specifications as described below. Cabinet will be grey or black in color. Cabinet will be lockable.

**HON 4 Drawer Vertical File**  
With Lock, Letter Size, 310 Series, 26-1/2" Deep, Black



15"W x 26-1/2"D x 52"H

The commercial quality 310 series vertical letter file.

Features:

- High drawer sides which hold hanging file folders without the extra-cost of hang rails.
- 26-1/2" case depth allows 25" front-to-back filing inches per drawer.
- Spring-loaded follower with positive side-action position keep files upright.
- Three-part telescoping, ball-bearing slide suspension.
- Equipped with bright aluminum pulls, label holders and thumb latches.
- Baked enamel finish over rust inhibiting phosphate pre-treatment.
- Interchangeable, core-removable lock for convenient, HON one key access.
- Meets or exceeds ANSI/BIFMA and ISTA performance standards.

\_\_\_ Bid as specified.

\_\_\_ Bid with deviations (see attached Bidder Response Sheet).

## Specification #19

### Hon 4-Drawer Vertical File Cabinet

Presentation will met specifications as described below. Cabinet will be grey or black in color. Cabinet will be lockable.



### FireKing 4 Drawer Vertical File

FireKing25 Series, Insulated, UL 1-Hour Fire, Legal Size, 25"D, Parchment

52-13/16"H x 20-3/4"W x 25"D

FireKing25 files provide your important records with the protection they need while economizing your space and budget.

#### Features:

- UL Class 350 1-hour classification assures protection from temperatures reaching 1700°F.
- 2000°F explosion rating and 30-foot impact rating.
- Medeco™ drawer keylocks are UL-rated to resist picking and drilling.
- Drawer bypass allows a drawer to stay unlocked while the other drawers remained locked.
- Chrome-plated zinc drawer pulls contain integral index-card holders.
- Insulation between all drawers makes each drawer a separate insulated container.
- Internal Drawer Dimensions: 10-3/8"H x 15-1/4"W x 19-3/4"D
- 3-Year Parts and Labor Warranty and Free Replacement Guarantee.
  - If your FireKing25 ever has to protect your records in a fire, and any of its fire-protective properties are damaged, FireKing will replace it free.

\_\_\_ Bid as specified.

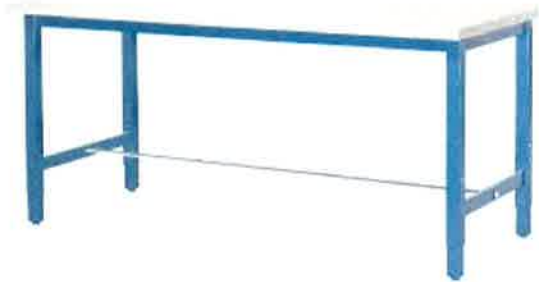
\_\_\_ Bid with deviations (see attached Bidder Response Sheet).

Specification #20

Global Production Bench, Model T9A606976BL

Production bench will meet specifications as described below. Bench will be 60" wide x 30" deep and height-adjustable.

**60"L X 30"W Production Bench -  
Plastic Square Edge-Blue**



**HEAVY DUTY HEIGHT ADJUSTABLE PRODUCTION BENCH**

**Square Edge Plastic Top**

Long lasting, high quality industrial work bench comes standard with rugged 2" square, 14 gauge tubular steel **height adjustable legs**. Legs adjust from 28 to 34"H at 2" increments. These workbenches are tested to **5000 lb. capacity. Weight should be evenly distributed**. 1-5/8" thick high pressure plastic laminate top with standard square edge. **Includes adjustable leveling floor glides and leveling foot plates that allow floor anchoring**. Powder coat finish. Quick and easy assembly.

\_\_\_ Bid as specified.

\_\_\_ Bid with deviations (see attached Bidder Response Sheet).

Specification #21

Smith System Split Top Graphic Arts Table, Model 27346

Table will be 24” deep x 30” wide and height adjustable to 39 inches. Table will have a pressure laminate “golden oak” top with champagne legs. See additional specs below.



### Graphic Arts Table

Planner Graphic Arts Tables bring their sturdy construction features to the art classroom. The split-top model adds a flat work area for maximum workspace.

### Material

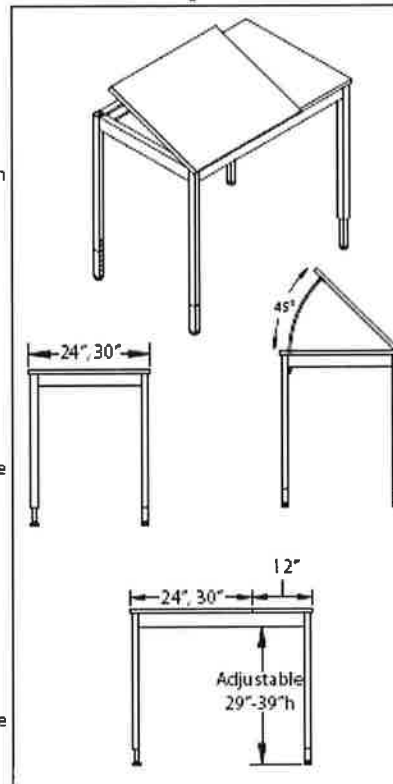
The **work surface** consists of a ¼” thick high-pressure laminate bonded to a 45-lb. density particle board core with a backer sheet and 3mm flat edges around the perimeter. The unit is constructed with a continuous hinge along the (width) front of the work surface, allowing up to 45 degrees of articulation of the work surface. The unit arrives with a curved easel attached to adjust the work station to the desired position.

The **front & back channels** come pre-assembled and are fully welded and constructed of 2” x 3” 14-gauge steel and provides lateral stability and a no sag work surface. The back channel has a 14-gauge plate welded inside the brace to support the 16-gauge curved easel. The **legs** are height adjustable for unit adjustment of 29” to 39” easily accommodating seating. Upper leg section is constructed of 1 ¼” square 14-gauge steel tubing. Lower leg inserts have tapped holes on 1” centers and attach to upper legs with 2 socket screws per leg. Legs are secured to the 3” x 1” 14-gauge leg brace by MIG weld. Each leg has a 1” adjusting leveling glide for stability.

### Dimensions

27346 - 24”d x 36”w x 29-39”h

### Product Specification:



\_\_\_ Bid as specified.

\_\_\_ Bid with deviations (see attached Bidder Response Sheet).

Specification #22

Smith System 12 Drawer Cabinet

Cabinet will be 21.5" deep x 15.5" side x 39" high be of steel construction with twelve drawers with pull handles and be "champagne" in color. Each drawer will lock separately. Cabinet will be similar to that in the picture below.



**Model ID: 09450**

21.5"d x 15.5"w x 39"h. With locks, 2"h drawers.

## Specification #23

### Smith System Round “Husky” Student Table, Model 04325

Table will be 42” diameter and adjustable height to 30 inches. Table will have a pressure laminate top (6 with “golden oak” top, “apple” edge and “champagne” legs; 6 with “grey mesh” top, “champagne” edge and “champagne” legs). See additional specs below.



### Round Husky Activity Table

Adjustable legs add flexibility and meet height requirements for K-adult, adjusting from 15” to 30” high. Legs are 1-3/4” diameter 17-gauge steel tubing. Telescoping legs adjust on 1” centers. Legs are secured to top with mounting brackets pre-installed in tops. Leg base is heavy-gauge stamped steel plate with formed steel rod welded to 1-3/4” round 17-gauge tube. Table tops are 1-1/4” thick, with a high-pressure laminate bonded to a 45-lb. particle board core with backer sheet. Tops also feature a 3/8” thick bumper edge with rounded corners and edges, protecting the surface and students from bumps and scratches.

\_\_\_ Bid as specified.

\_\_\_ Bid with deviations (see attached Bidder Response Sheet).

Specification #24

Smith System Intuit Adjustable Stool, Model 00541

Stool will be similar in style to that below. Stool will have a 5-star black base with casters and adjustable seat height to 32". Stool will be "apple" color.



### **Intuit Adjustable Stool**

The shape of the Intuit Adjustable Stool invites students to come, sit and learn. Its ample dimensions make students of all sizes comfortable throughout the day. The Intuit Adjustable Stool has an adjustable foot ring for balance and comfort. Choose from dual-wheel, soft-tread casters or glides. The stool adjusts in seat height from 22" to 32".

\_\_\_ Bid as specified.

\_\_\_ Bid with deviations (see attached Bidder Response Sheet).

Specification #25

Flat File Storage Cart

Cart will be mobile, have 4-5 draws, have a laminate or hard-surface top and conform to the measurements below as a minimum.



Height: 36"H  
Depth: 24"D  
Width: 46"W  
Weight: 260

Bid as Specified.

Bid with deviations (see attached Bidder Response Sheet).

## Specification #26

### Smith System Computer Table, Model 11143

Computer table will be 48" wide x 24" deep and a height adjustable to 32." Table will have cable management channel with locking access panel. Table will meet the specifications below as to construction quality. Computer table will accommodate two students working at two workstations. Table will be "apple" color with "golden oak" top, "apple" edge band and "champagne" legs.

## Access Stations

The Planner is a truly stronger student desk. Shipped ready to assemble, these tables have a heavy-duty work surface that won't sag under heavy books or equipment.

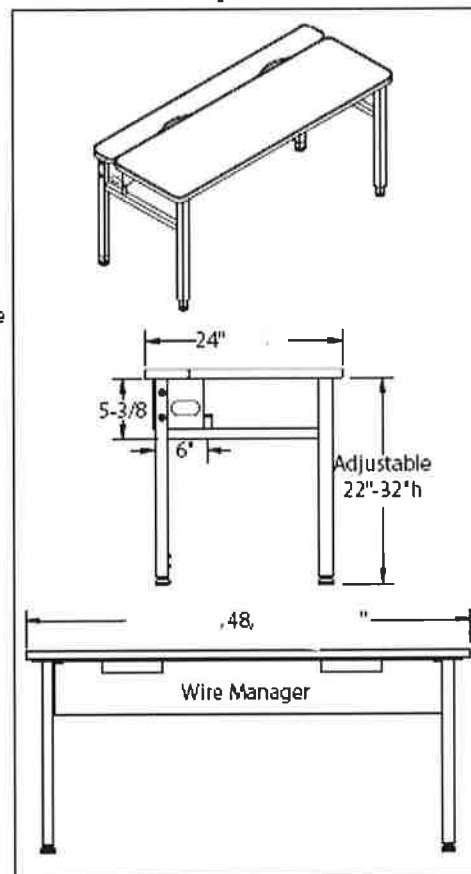
## Material

The 1-1/4" thick **work surface** consists of a 45 lb. density particle board core with a .030 high-pressure laminated surface and a .020" melamine backer sheet. The edge of the work surface features 3/8" bumper edge molding that is mechanically fastened every 6 to 8 inches to assure a long lasting fit. The top is pre-drilled for ease of installation.

The legs are attached to the pre-drilled holes in the top with (12) #10 x 3/4" screws through a 3/8"W x 18"L 14-gauge steel mounting plate. The mounting plate is welded to (2) 1 1/4" square 14-gauge steel tube legs which is welded to a 1" square 14-gauge steel tube cross bar. The leg inserts are 1" square 14-gauge steel tube and adjust in height from 22" to 32" in 1" increments. The adjustment for each leg is secured with (2) 3/4"-16 x .675" Allen screws. The legs are tied together for added strength with a 6" high 18-gauge steel panel and (4) Connector Bolts. Legs have 1" adjustable leveling glides.

**Wire Management:** Access comes with a key locking a fully welded wire manager that is 5-3/8" X 6". The Manager has grommet holes in the end to allow for wires to be run from station to station with no exposed wiring. Access slots in the front allow for easy CPU cable routing into the manager.

## Product Specifications



## Specification #27

### Bretford iPad “Synch Cart,”

Cart will hold 30 iPad mobile devices and meet all technical specs outlined below.

#### TECH SPECS

- Compatible with iPad and iPad 2
- Maximum AC draw of 5.5 amps, while maintaining 2.1 amp DC power to each iPad.
- 12-year warranty for the cart, 2-year warranty for electrical components.
- All steel construction with non-toxic aluminum and graphite powder-coat finish.
- Ships fully assembled.
- Capacity: 30 iPad Wi-Fi or iPad Wi-Fi + 3G devices
- Dimensions: 33 x 24 x 37 in (83 x 60 x 94 cm) (W x D x H)
- iPad slots: 0.81 x 9.5 x 12 in (2 x 24 x 30 cm) (W x H x D). Note: Each slot can accommodate an iPad 2 with an Otterbox® Defender Series case (OtterBox part APL2-IPAD2), without its clip-on touch screen cover.
- Weight without iPads: 168 lbs (76 kg)
- The entire cart is listed to the UL 60950 standard.



\_\_\_ Bid as specified.

\_\_\_ Bid with deviations (see attached Bidder Response Sheet).